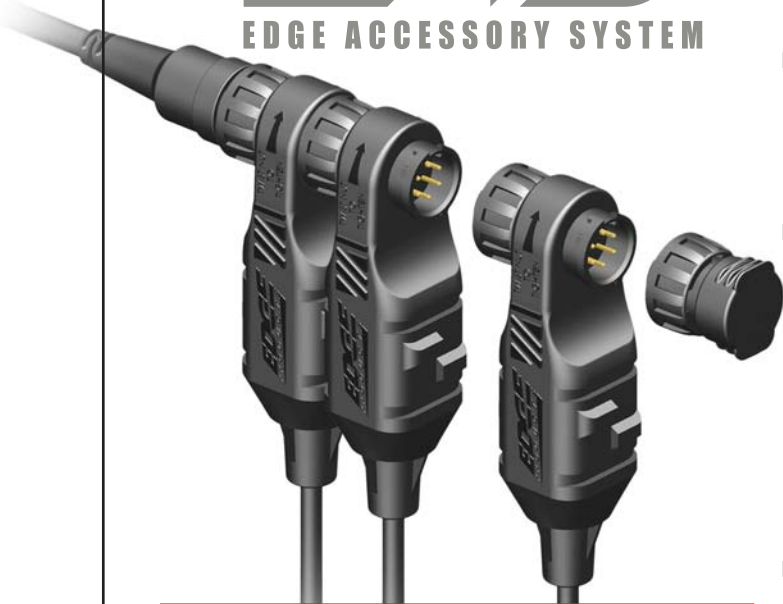


# NEW RELEASE

**NEW!**

# EAS

EDGE ACCESSORY SYSTEM



The Edge Accessory System (EAS) was created with future expandability in mind. The architecture of the EAS allows users to connect multiple accessories, daisy-chain style, to the CS and CTS platform. The ability to daisy-chain multiple accessories using the EAS allows users to monitor and display dozens of parameters on a single device.



Add up to 16 additional sensors with the EAS Universal Sensor Input. Then setup, configure, and customize those sensors through Edge's MyStyle™ software package. The Edge MyStyle™ software will recognize any Universal Sensor Input that has been connected to your CS or CTS and allow the user to change the PID name, gauge name, description and units. The user can choose from a number of preconfigured sensors or enter in a custom look-up table to translate the input voltage to the measured parameter value and units.

## EDGE ACCESSORY SYSTEM PRODUCTS

PART #	MSRP	MVP	JOBBER	SHIP	WT.	DESCRIPTION	UPC	L	W	H	UOM
<b>NEW!</b> 98602	\$ 36.25	\$ 29.00	\$ 27.73	UPS	2.0	EAS Starter Kit Cable (one required to start EAS system)	810115011125	9.5	6.25	1.5	EA
98603	\$161.25	\$129.00	\$123.36	UPS	1.0	EAS Starter Kit Cable w/EGT (for CS & CTS expandable)	810115011678	9.5	6.25	1.5	EA
<b>NEW!</b> 98611	\$123.75	\$ 99.00	\$ 94.67	UPS	2.0	EAS EGT Expandable w/o Starter Kit *	810115011187	9.5	6.25	1.5	EA
<b>NEW!</b> 98604	\$186.25	\$149.00	\$142.48	UPS	2.0	EAS Universal Turbo Timer * (Excluding Dodge 2006-2011)	810115011132	9.5	6.25	1.5	EA
<b>NEW!</b> 98612	\$186.25	\$149.00	\$142.48	UPS	2.0	EAS Dodge Turbo Timer * (Dodge 2006-2011)	810115011217	9.5	6.25	1.5	EA
<b>NEW!</b> 98605	\$186.25	\$149.00	\$142.48	UPS	2.0	EAS Universal Sensor Input (5 Volt) *	810115011149	9.5	6.25	1.5	EA
<b>NEW!</b> 98608	\$ 48.75	\$ 39.00	\$ 37.29	UPS	2.0	EAS -40F to 300F 1/8" NPT Temperature Sensor **	810115011163	9.5	6.25	1.5	EA
<b>NEW!</b> 98610	\$ 36.25	\$ 29.00	\$ 27.73	UPS	2.0	EAS Ambient Temperature Sensor -40F to 230F Waterproof 0.2" diameter sensor **	810115011170	9.5	6.25	1.5	EA

\* EAS Starter Kit Cable required

\*\* EAS Starter Kit Cable and EAS Universal Sensor Input required

The EAS Starter Kit Cable is required to connect a EAS system to any CS or CTS device. Only one EAS Starter Kit Cable is required per CS or CTS device.

A EAS Universal (5 volt) Sensor Input is also required to add any sensor. One Universal Sensor Input can connect up to 2 different sensors.



For more information call toll free at **1.888.360.EDGE** or visit [www.edgeproducts.com](http://www.edgeproducts.com)

### ▶ EGT PROBE

The EGT probe is a sensor that allows users to monitor critical Exhaust Gas Temperatures to ensure added power is not creating excessive heat which, in turn, can cause engine damage. With the EAS system a user can connect multiple EGT sensors to monitor temperatures in different locations and compare readings to be even more precise.

### ▶ TURBO TIMER

A turbo timer is a device designed to keep an engine running for a pre-specified period of time or a until a specific temperature is reached in order to automatically execute the cool-down period required to prevent premature turbo wear and failure. This also allows the lubricating oil from the engine to circulate properly so the turbine won't burn the lubricating oil that would otherwise be trapped within the charger with the turbine rotating at high speed.

### ▶ EAS UNIVERSAL SENSOR INPUT

The EAS Universal Sensor Input provides the ability to read any 0-5 volt signal and translate that signal a meaningful value for display on the Edge CS or CTS. This means you can add custom temperature, pressure, Air/Fuel and even Travel/Position gauges to your Edge CS and CTS! Using the Edge Accessory System provides the following benefits:

- Using the MyStyle™ software, sensors can be easily configured and renamed.
- Up to 8 Universal Sensor Input accessories may be installed in any order on the vehicle. Each Universal Sensor Input will support up to 2 sensors for a total of 16 additional sensors that can be added to your CS or CTS device.  
NOTE: Sensors from manufacturers other than Edge can also be attached to a CS or CTS device through the EAS Universal Sensor Input
- Eliminates the necessity of routing multiple wires to the CS / CTS Monitor

### ▶ EAS PRESSURE SENSOR

Edge's EAS Pressure Sensor is a 0 – 50 PSIA 1/8" NPT sensor that plugs directly into the Universal Sensor Input system (p/n 98605). Edge's Pressure Sensor comes equipped with the proper wires and connectors to plug right into the Universal Sensor Input system saving time and money on cutting, splicing, and crimping wire terminals to connect the sensor. Use Edge's Pressure Sensor to monitor data such as Boost PSI, Fuel Rail Pressure, Air Bag Pressure, Lift Pump Pressure, Pre and Post Intercooler Pressure and many more.

### ▶ EAS TEMPERATURE SENSOR

The EAS Temperature Sensor is a -40°F to 300°F 1/8" NPT supplied with the connectors to plug directly into Edge's Universal Sensor Input System. Using Edge's Temperature Sensor you can monitor Transmission Temp., Differential/Axle Oil Temp., Oil Temp., Engine Coolant Temp., Air Intake Temp., Pre and Post Intercooler Temp., and many more. Use this in conjunction with the Universal Sensor Input and the CS or CTS monitor to allow you to view critical temperatures with the most state-of-the-art product on the market today.

### ▶ EAS AMBIENT TEMPERATURE SENSOR

If your vehicle is not equipped with an outside temperature sensor then this is a must have! The EAS Ambient Temperature Sensor is a -40°F to 230°F Waterproof 0.2" diameter sensor ready to plug into Edge's Universal Sensor Input system. Now you'll never wonder what outside air temperature is again!

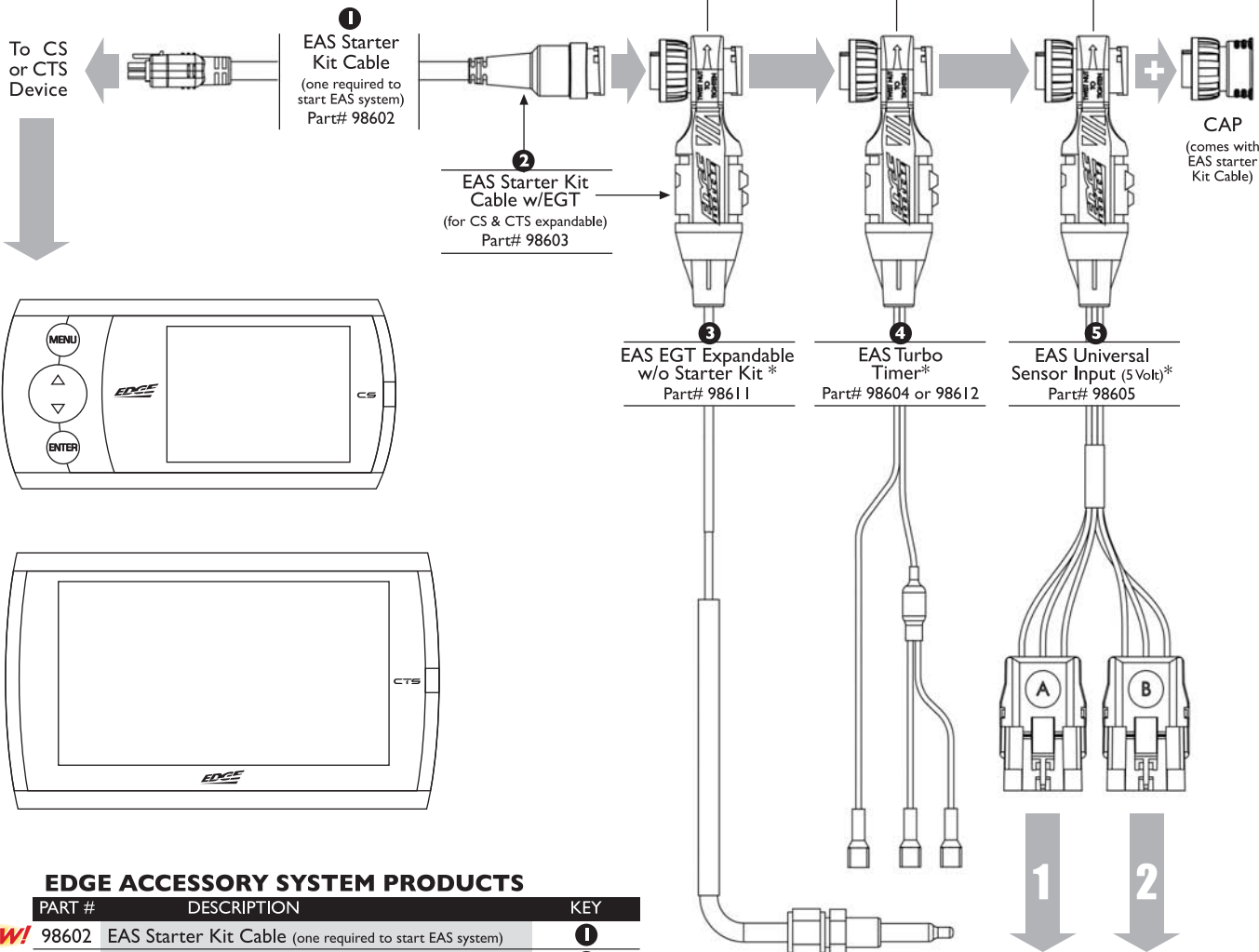
**NEW RELEASE**

**NEW!**

# EAS

EDGE ACCESSORY SYSTEM

8 accessories of each type may be installed in any order on the vehicle.



**EDGE ACCESSORY SYSTEM PRODUCTS**

PART #	DESCRIPTION	KEY
<b>NEW!</b> 98602	EAS Starter Kit Cable (one required to start EAS system)	1
98603	EAS Starter Kit Cable w/EGT (for CS & CTS expandable)	2
<b>NEW!</b> 98611	EAS EGT Expandable w/o Starter Kit *	3
98604	EAS Universal Turbo Timer *	4
<b>NEW!</b> 98612	EAS Dodge Turbo Timer *	4
<b>NEW!</b> 98605	EAS Universal Sensor Input (5 Volt) *	5
<b>NEW!</b> 98608	EAS -40F to 300F 1/8" NPT Temperature Sensor **	NOT SHOWN
<b>NEW!</b> 98610	EAS Ambient Temperature Sensor -40F to 230F Waterproof 0.2" diameter sensor **	NOT SHOWN

\* EAS Starter Kit Cable required

\*\* EAS Starter Kit Cable and EAS Universal Sensor Input required

The EAS Starter Kit Cable is required to connect a EAS system to any CS or CTS device. Only one EAS Starter Kit Cable is required per CS or CTS device.

A EAS Universal (5 volt) Sensor Input is also required to add any sensor. One Universal Sensor Input can connect up to 2 different sensors.

Each Universal Sensor Input will support up to 2 sensors for a total of 16 additional sensors that can be added to your CS or CTS device.

NOTE: Sensors from manufacturers other than Edge can also be attached to a CS or CTS device through the EAS Universal Sensor Input



For more information call toll free at **1.888.360.EDGE** or visit [www.edgeproducts.com](http://www.edgeproducts.com)